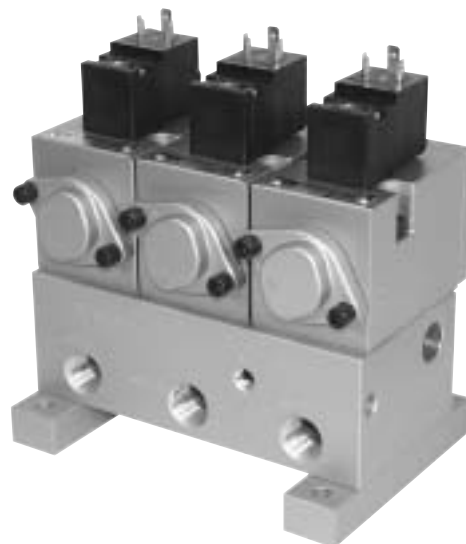


PLUNGER UP or DOWN, COOLING

3/2 Directional Control Valve - Manifold Design

- Non-friction seat seals
- High-speed poppet valves
- Constant repeatability
- Non-lube



STANDARD SPECIFICATIONS

Solenoids: Standard voltages 100-110 volts 50 Hz; 100-120 volts 60 Hz; 110 volts d.c. 24 volts d.c.

Power Consumption: 8 VA inrush, 6 VA holding on 50 or 60 Hz; 6 watts on d.c.

Flow Medium: Filtered air.

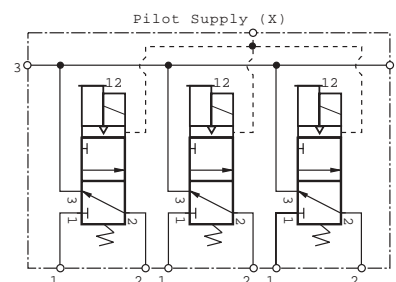
Ambient Temperature: 0° to 250° F (-17° to 122° C).

Media Temperature: 0° to 300° F (-17° to 150° C).

Inlet Pressure: 30 to 150 psig (2 to 10 bar).

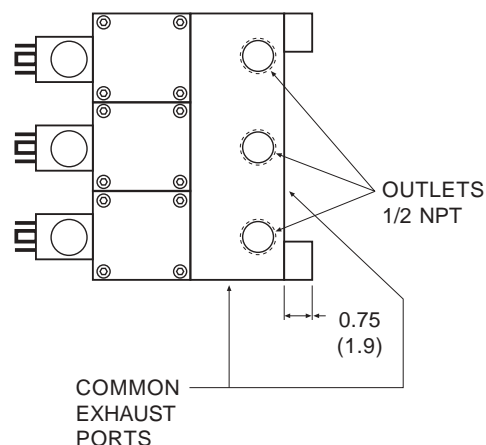
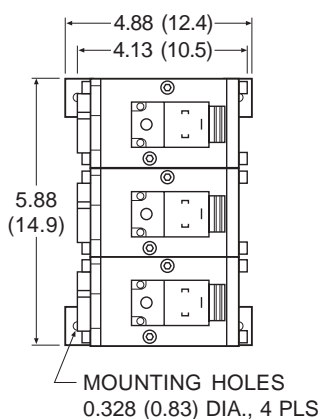
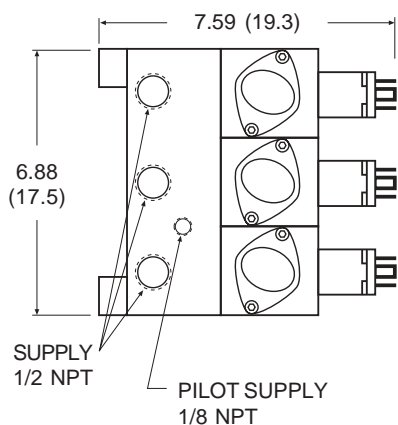
Qty	Model/Part #	Description
3	2173E5943	Hi-temp solenoid pilot valves
1	801H91*	Common inlet manifold for Cooling applications
1	802H91*	Individual inlet manifold for Plunger-Up applications

*Only one manifold is needed. Use 801H91 for Cooling applications or 802H91 for Plunger-Up applications.



Dimensions - inches (mm)

We reserve the right to introduce technical modifications.



ROSS CONTROLS® • ROSS EUROPA GmbH • ROSS UK Ltd. • ROSS SOUTH AMERICA Ltda
ROSS ASIA K.K. • ROSS ASIA K.K. CHINA LIAISON OFFICE • ROSS CONTROLS INDIA Pvt. Ltd.

www.rosscontrols.com

