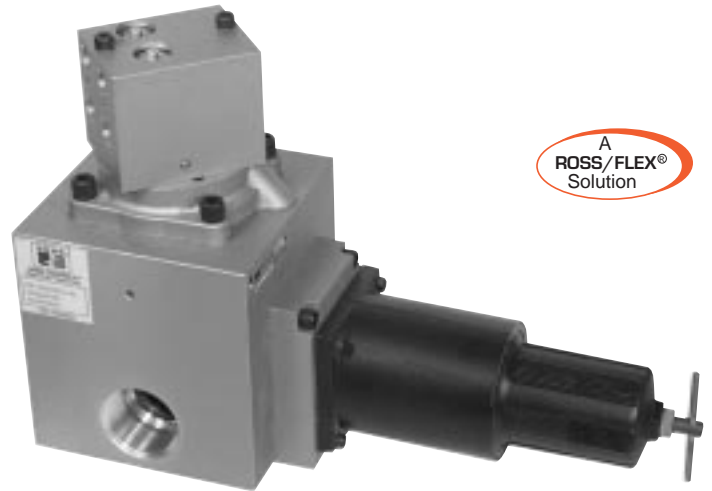


ENERGYSAVER™ – In-Line

- High-speed poppet construction
- Constant repeatability
- Non-friction seat seals
- Non-lube
- Specialized low-wear body coating
- Adjustable hold-up pressure
- Multiple or single remote pilot options



STANDARD SPECIFICATIONS

Flow Medium: Filtered air.

Ambient Temperature: 0° to 250° F (-17° to 122° C).

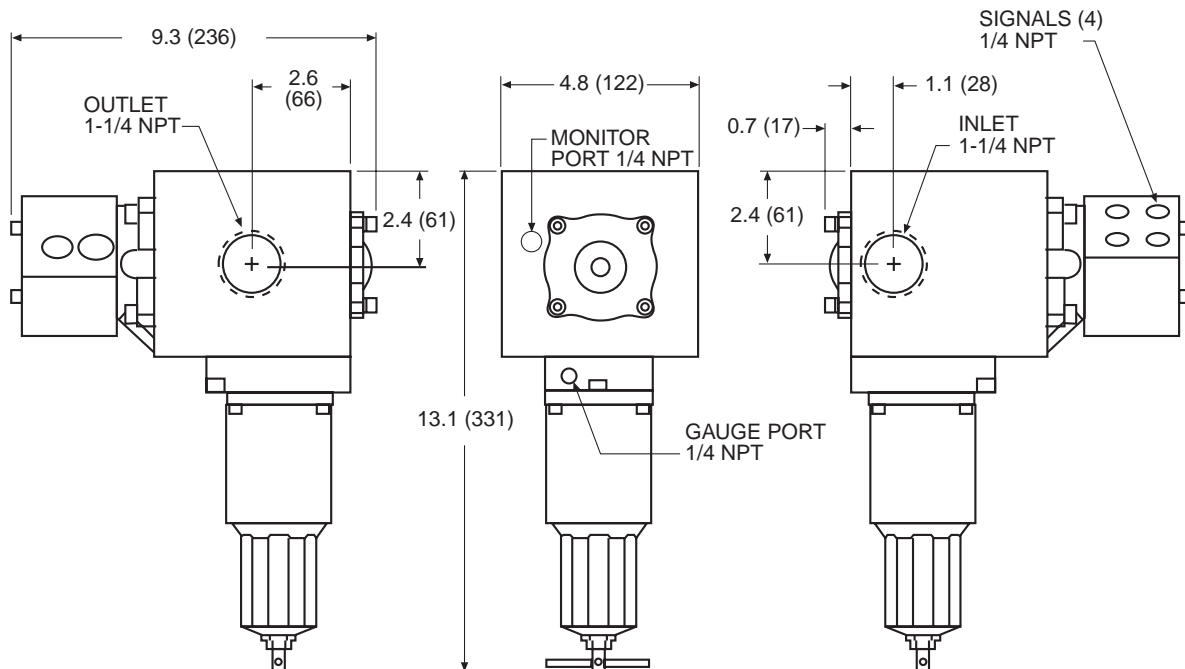
Media Temperature: 0° to 300° F (-17° to 150° C).

Inlet Pressure: 30 to 150 psig (2 to 10 bar).

Model Number: 3900A0361

Dimensions - inches (mm)

We reserve the right to introduce technical modifications.



ROSS CONTROLS® • ROSS EUROPA GmbH • ROSS UK Ltd. • ROSS SOUTH AMERICA Ltda
 ROSS ASIA K.K. • ROSS ASIA K.K. CHINA LIAISON OFFICE • ROSS CONTROLS INDIA Pvt. Ltd.

