

# ENERGYSAVER™ – GEN 2

- High-speed poppet construction
- Constant repeatability
- Non-friction seat seals
- Non-lube
- Specialized low-wear body coating
- Solenoid, remote pilot options
- Direct cylinder mounting
- Fluidizing option
- System leak monitor port
- Complete cylinder and valve package option



## STANDARD SPECIFICATIONS

**Solenoids:** Standard voltages 200-240 volts 50/60 Hz; 100-120 volts 50/60 Hz; 110 volts d.c. 24 volts d.c.

**Power Consumption:** 10.8 VA inrush, 8.5 VA holding on 50 or 60 Hz; 6 watts on d.c.

**Flow Medium:** Filtered air.

**Ambient Temperature:** 0° to 300° F (-17° to 150° C); intermittent to 390° F (200° C).

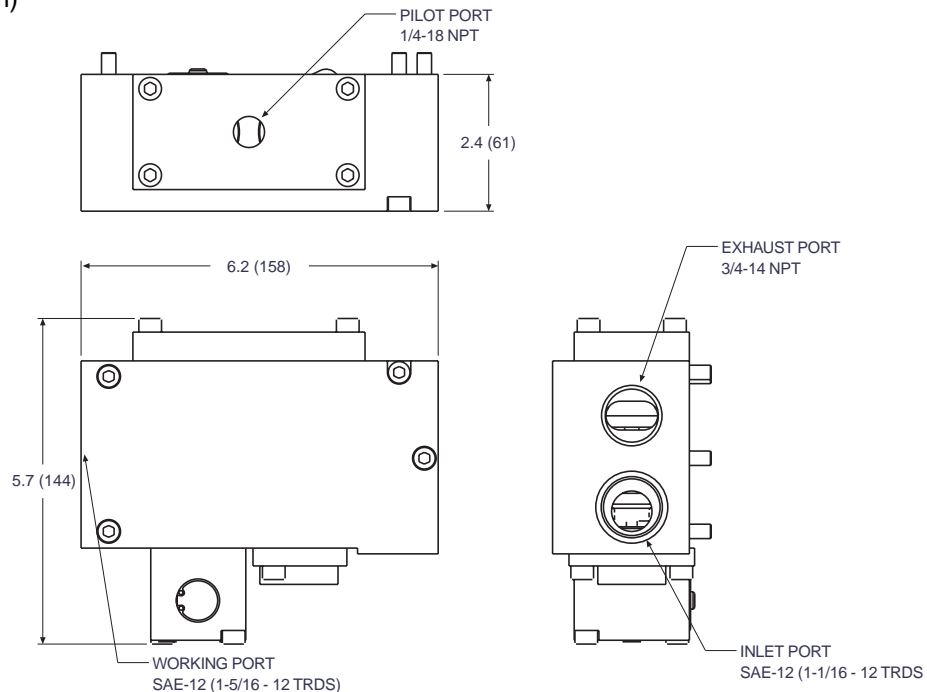
**Media Temperature:** 0° to 300° F (-17° to 150° C).

**Inlet Pressure:** 30 to 150 psig (2 to 10 bar).

**Model Number: 2158A5902**

## Dimensions - inches (mm)

We reserve the right to introduce technical modifications.



ROSS CONTROLS® • ROSS EUROPA GmbH • ROSS UK Ltd. • ROSS SOUTH AMERICA Ltda  
ROSS ASIA K.K. • ROSS ASIA K.K. CHINA LIAISON OFFICE • ROSS CONTROLS INDIA Pvt. Ltd.

