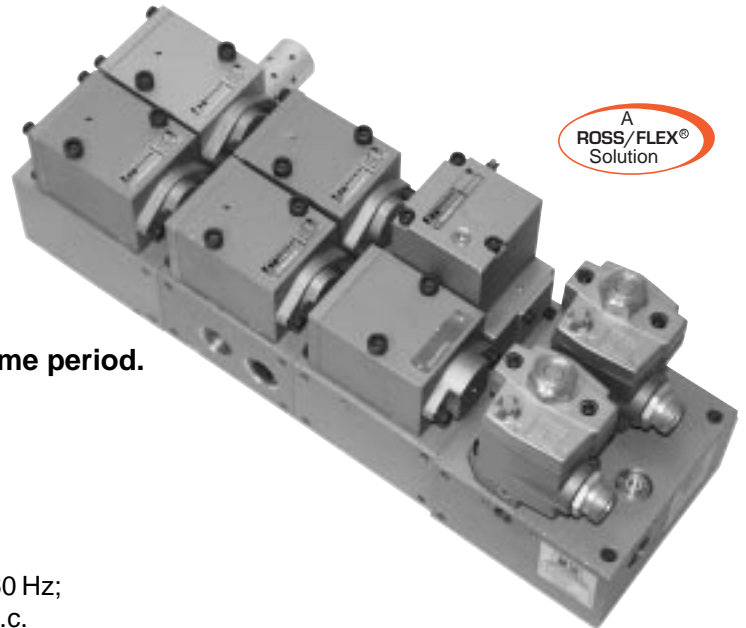


Anode Jacking

- High-speed poppet construction
- Constant repeatability
- Non-friction seat seals
- Non-lube
- Specialized low-wear body coating
- Solenoid, remote pilot options
- Built-in "run-a-way" control shuts off air supply to air motor after a pre-set time period.
- Special base options



STANDARD SPECIFICATIONS

Solenoids: Standard voltages 200-240 volts 50/60 Hz; 100-120 volts 50/60 Hz; 110 volts d.c. 24 volts d.c.

Power Consumption: 10.8 VA inrush, 8.5 VA holding on 50 or 60 Hz; 6 watts on d.c.

Flow Medium: Filtered air.

Ambient Temperature: 0° to 250° F (-17° to 122° C).

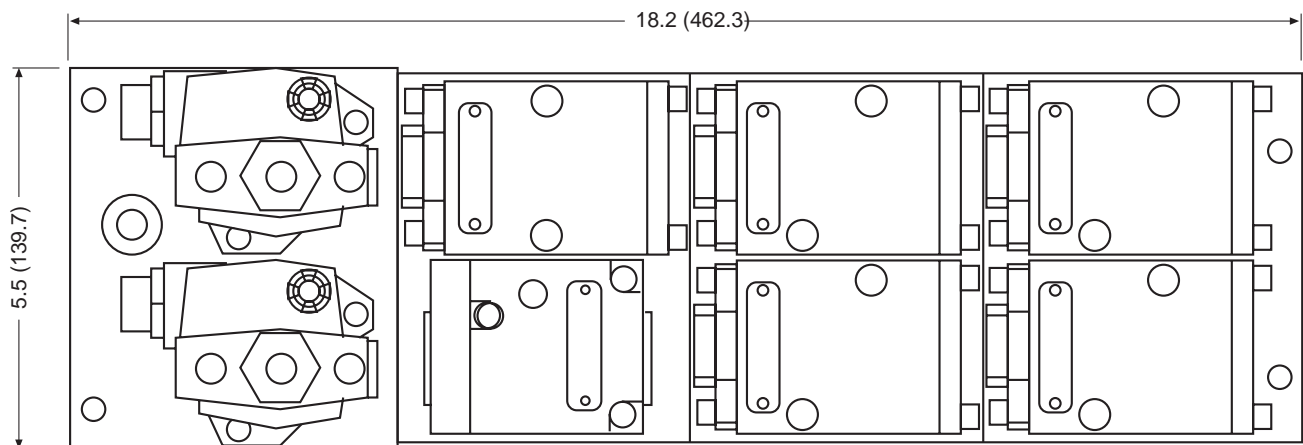
Media Temperature: 0° to 300° F (-17° to 150° C).

Inlet Pressure: 30 to 150 psig (2 to 10 bar).

Model Number: 3900A0326

We reserve the right to introduce technical modifications.

Dimensions - inches (mm)



ROSS CONTROLS® • **ROSS EUROPA GmbH** • **ROSS UK Ltd.** • **ROSS SOUTH AMERICA Ltda**
ROSS ASIA K.K. • **ROSS ASIA K.K. CHINA LIAISON OFFICE** • **ROSS CONTROLS INDIA Pvt. Ltd.**

