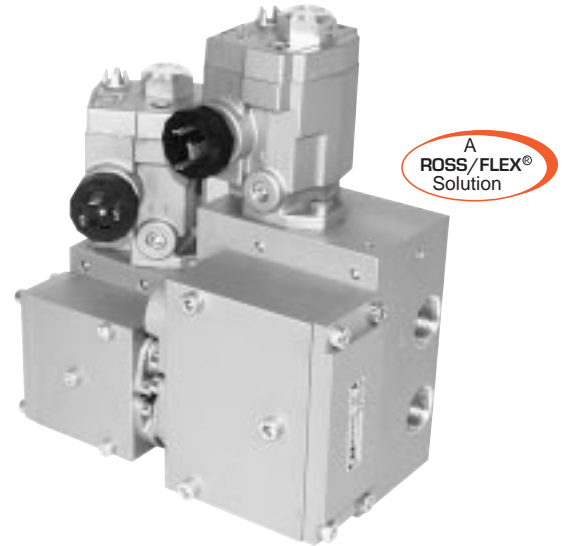


Breaker / Ore Feed Valves

- High-speed poppet construction
- Constant repeatability
- Non-friction seat seals
- Non-lube
- Specialized low-wear body coating
- Solenoid, remote pilot options
- Fluidizing option
- ENERGYSAVER™ option
- Special base and cylinder mounting options



STANDARD SPECIFICATIONS

Solenoids: Standard voltages 200-240 volts 50/60 Hz; 100-120 volts 50/60 Hz; 110 volts d.c. 24 volts d.c.

Power Consumption: 10.8 VA inrush, 8.5 VA holding on 50 or 60 Hz; 6 watts on d.c.

Flow Medium: Filtered air.

Ambient Temperature: 0° to 250° F (-17° to 122° C); intermittent 390° F (200° C).

Media Temperature: 0° to 300° F (-17° to 150° C).

Inlet Pressure: 30 to 150 psig (2 to 10 bar).

Dimensions - inches (mm)

We reserve the right to introduce technical modifications.

