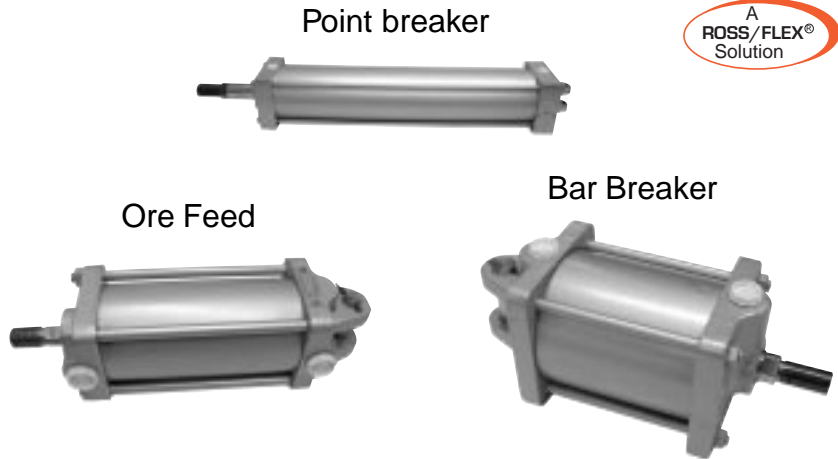


Breaker / Ore Feed Cylinders

Constructed Specially for the Primary Aluminum Industry

- Specialized sealing system
- Non-lube
- Electrical insulation of rod
- Wear-surface plating
- Retract latching option
- Control valve options
- Energy saving options
- Stroke-end limit switches
- 5-year life expectancy



STANDARD SPECIFICATIONS

Flow Medium: Filtered air.

Ambient Temperature: 300° F (150° C); intermittent 390° F (200° C).

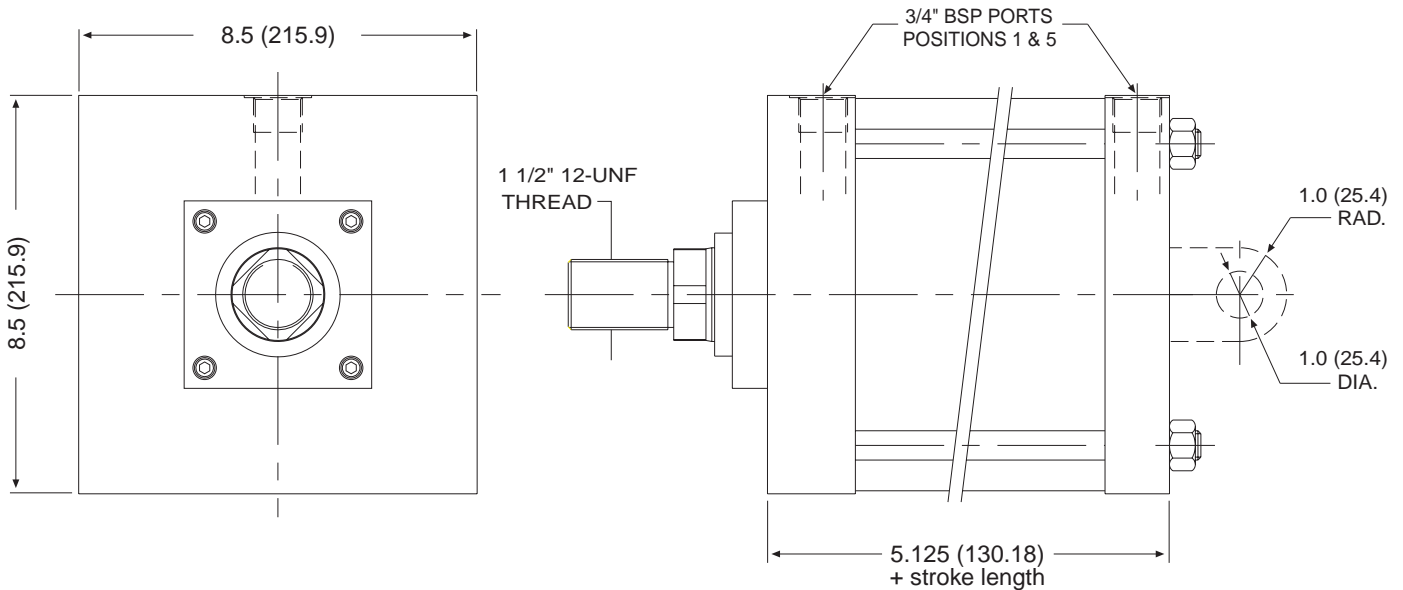
Media Temperature: 0° to 300° F (-17° to 150° C).

Inlet Pressure: 30 to 150 psig (2 to 10 bar).

Dimensions - inches (mm)

We reserve the right to introduce technical modifications.

Typical 8" (200mm) Ø bore



ROSS CONTROLS® • **ROSS EUROPA GmbH** • **ROSS UK Ltd.** • **ROSS SOUTH AMERICA Ltda**
ROSS ASIA K.K. • **ROSS ASIA K.K. CHINA LIAISON OFFICE** • **ROSS CONTROLS INDIA Pvt. Ltd.**

